

# Shear Tool

## Contingency tool for fiberglass rod removal

### APPLICATIONS

- Wells with fiberglass sucker rods
- Wells with potential for stuck pumps

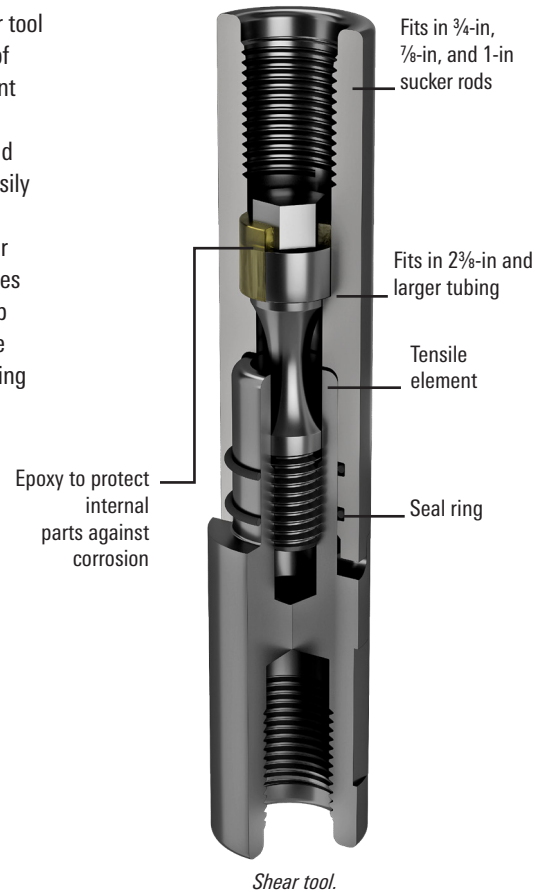
### BENEFITS

- Enables easy retrieval of rods
- Prevents costly fishing jobs

### FEATURES

- 3/4-in, 7/8-in, and 1-in sucker rods
- Tensile element epoxy-sealed for protection

For wells using fiberglass sucker rods, the shear tool is run above the pump to enable easy retrieval of rods. In the event that the predetermined amount of tension is exceeded when pulling the sucker rods, the shear tool's tensile element breaks and allows the rods from that point and up to be easily retrieved. The remaining rods and pump can subsequently be pulled from the well. The shear tool is rated by size to withstand differing degrees of tension. It is recommended that prior to pump installation the well be cleared of paraffin above the seating nipple to eliminate premature shearing caused by impact loading.



### Shear Tool Specifications

Part Number	Tubing Size, in [mm]	Polished Rod Box Threads, in [mm]	Shear Value, psi [MPa]	Operational Load, lbm [kg]
STC1-1-18	2 3/8 [60.325]	3/4 [19.05]	18,000 [124.1]	3,700 [1,678.3]
STC1-1-21	2 3/8 [60.325]	3/4 [19.05]	21,000 [144.8]	4,400 [1,995.8]
STC1-1-26	2 3/8 [60.325]	3/4 [19.05]	26,000 [179.3]	5,400 [2,449.4]
STC1-1-33	2 3/8 [60.325]	3/4 [19.05]	33,000 [227.5]	6,800 [3,084.4]
STC1-2-18	2 3/8 [60.325]	7/8 [22.225]	18,000 [124.1]	3,700 [1,678.3]
STC1-2-21	2 3/8 [60.325]	7/8 [22.225]	21,000 [144.8]	4,400 [1,995.8]
STC1-2-26	2 3/8 [60.325]	7/8 [22.225]	26,000 [179.3]	5,400 [2,449.4]
STC1-2-33	2 3/8 [60.325]	7/8 [22.225]	33,000 [227.5]	6,800 [3,084.4]
STC2-2-21	2 7/8 [73.025]	7/8 [22.225]	21,000 [144.8]	4,400 [1,995.8]
STC2-2-26	2 7/8 [73.025]	7/8 [22.225]	26,000 [179.3]	5,400 [2,449.4]
STC2-2-33	2 7/8 [73.025]	7/8 [22.225]	33,000 [227.5]	6,800 [3,084.4]
STC2-3-21	2 7/8 [73.025]	1 [25.4]	21,000 [144.8]	4,400 [1,995.8]
STC2-3-26	2 7/8 [73.025]	1 [25.4]	26,000 [179.3]	5,400 [2,449.4]
STC2-3-33	2 7/8 [73.025]	1 [25.4]	33,000 [227.5]	6,800 [3,084.4]

<sup>†</sup>Example: STC1-2-26 (shear tool), 2 3/8-in tubing, 7/8-in box connection, 1 1/2-in OD, 26,000-psi shear value, 5,400-lbm operational load.