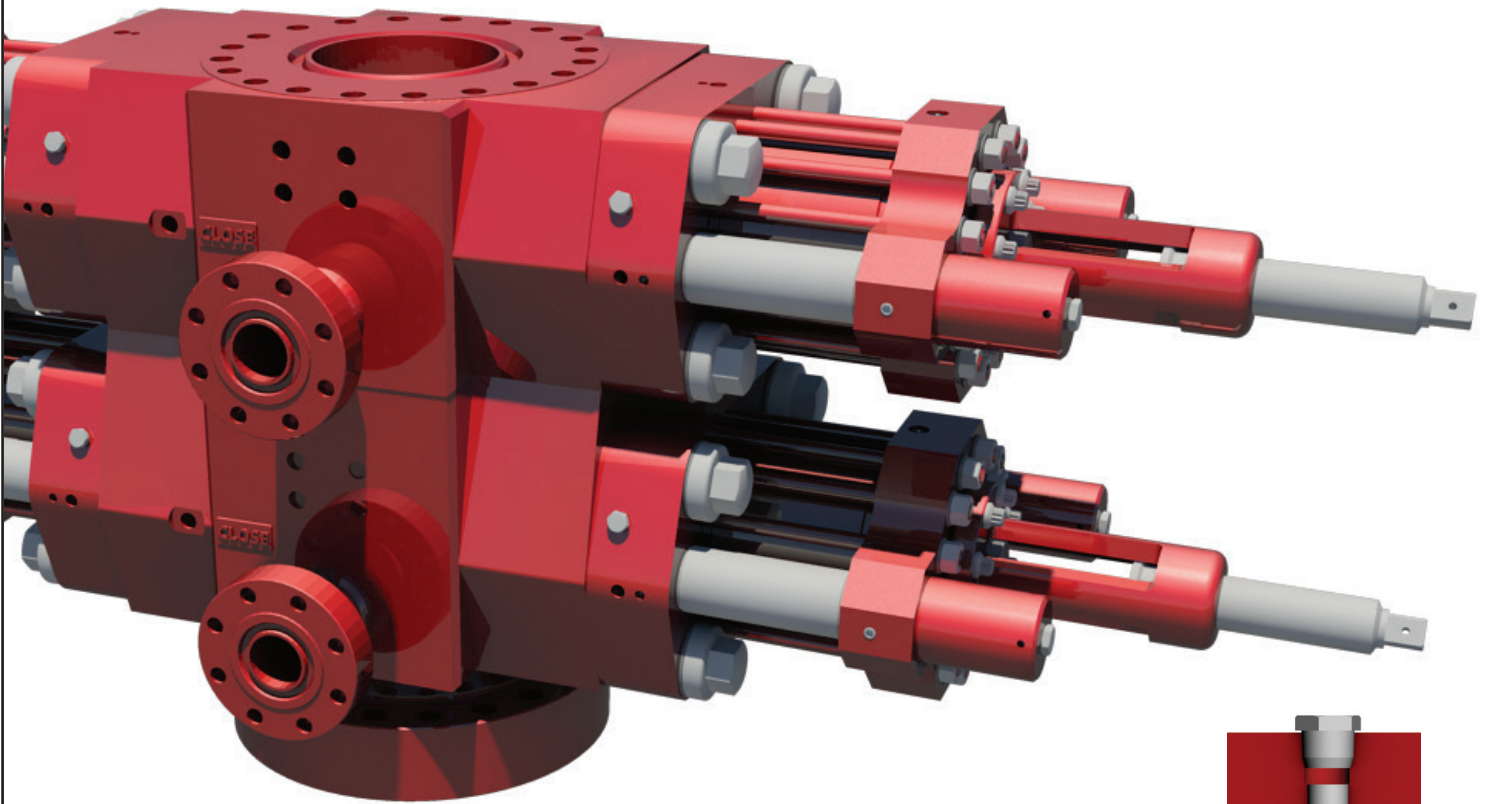
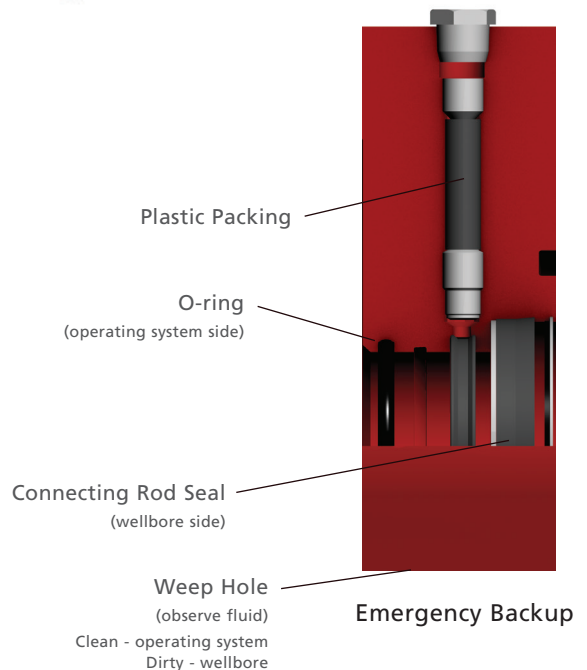


UM BOP

Cameron's UM™ BOP is a lightweight blowout preventer designed for easy maintenance and long life. The UM is designed for surface, stripping, and snubbing applications, and includes many of the same features as the field-proven U™ BOP. The shearing capabilities of the UM BOP bonnet are achieved by simply reversing the operating piston. The UM features a patented, reversible piston that converts standard pipe-ram operating pistons to a larger piston designed for shearing. This feature reduces weight and length for the preventer and eliminates the need for external plumbing.



- Available in sizes ranging from 7-1/16" through 13-5/8"
- Consistent with the durability and field-proven design of the U BOP
- Multiple bonnet configurations: standard pipe, shear bonnets, and tandem boosters
- Reversible piston for configuring between shear or pipe rams



Features and Benefits

- Bonnet seal carrier is available to eliminate the need for high makeup torque on bonnet studs and nuts
- Same bonnet used for both shear and pipe rams; the internal shear booster can be reversed to act as a stroke-limiting device
- Internal reversible piston provides additional force necessary for shearing a wide variety of pipe, and at the same time, provides a reduced sealing force for long ram seal life
- Hydraulically operated locking mechanisms, wedgelocks, are available for subsea applications
- Most operating system seals can be replaced with the bonnet in the ram-change position without removing the bonnets
- UM utilizes the same rams as the U BOP

