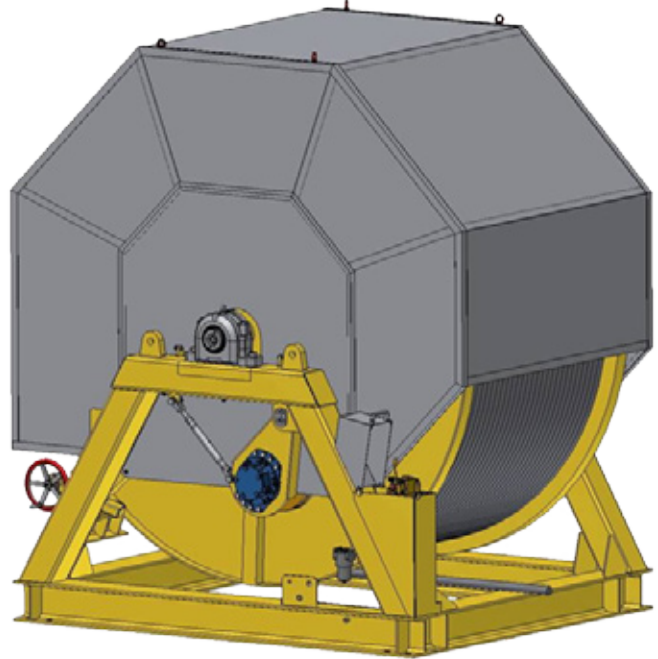


Drill Line Storage Reel

DLSR 7500-1 5/8

Cameron's drill line storage reel (DLSR) is a simple but essential tool used to organize and streamline hoisting and rotating systems. The DLSR 7500 has been designed and engineered by Cameron to give operators greater control and safeguard both personnel and equipment when cutting and slipping the drill line.

Cameron's DLSR stores and spools drilling line and is hydraulically powered to ease slip-and-cut operations. When the drill line drum is empty, a new drum can quickly and easily be installed, thus reducing downtime. As a safety precaution, the DLSR is equipped with a mechanical parking brake to avoid accidental spooling of the drilling line. The DLSR is designed to meet HSE regulations.



Main Features

- Robust frame/skid for drum carriage
- Quick change of drum
- Robust pinion/cog wheel transmission for drilling line spooling
- Easy adjustment of gear meshing
- High-quality spherical bearings in enclosed housings for extended operation periods
- Hydraulic drive to ease slip-and-cut operations; hydraulic drive also serves as brake when not in operation
- Separate mechanical parking brake
- Local control cabinet secured by lockable stainless cover to avoid unwanted operation
- Extended lifetime on all system components

Safety Features

- Remote operation
- Dual retention of all fasteners
- Transmission parts covered to avoid crushing risk

| Technical Specifications | SI | Imperial (US) |
|---|------------------------------|---------------------|
| Drill line diameter | 41 mm | 1-5/8" |
| Drill line length (on reel) | 2286 m | 7500 ft |
| Line pull (maximum at outer layer) | 15 k·N | 3372 lb |
| Rope speed | Approx. 20 m/min | Approx. 65 ft/min |
| Operating temperature (minimum/maximum) | -20 to 40° C | -4 to 104° C |
| Hydraulic supply (pressure/flow rate) | 207 bar/50 L/min | 3000 psi/13 gal/min |
| Weight | 23,700 kg | 52,250 lb |
| Design approvals | -DNV OS E-101 drilling plant | |
| Classification | Suitable for ATEX Zone 1 | |

| Scope of Supply | Options |
|--|---|
| 7500 ft of drilling line spooled onto storage drum | Remote operation kit |
| Frame/skid for support of drum | Stainless steel all-weather cover |
| Hydraulic motors and valves | Yoke and sling assembly for drum change |
| Mechanical parking brake | Other models available for storage of different wire dimensions |

4601 Westway Park Blvd.
Houston, TX 77041
USA
Tel 1 713 939 2211

Andøyfaret 3
N-4623 Kristiansand S.
Norway
Tel 47 380 00 570