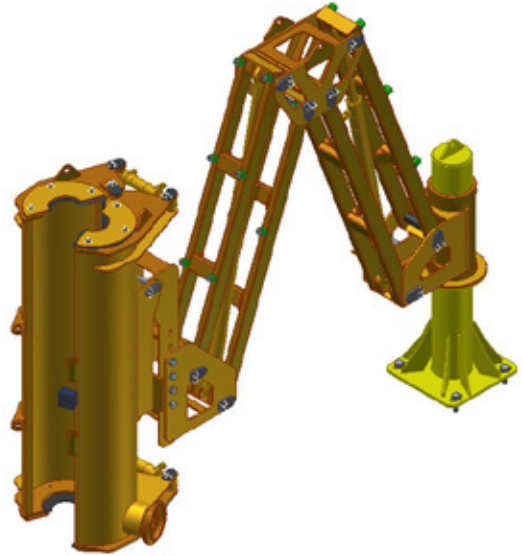


Mud Bucket

MB 7-H

Cameron's mud bucket is machine-designed for safe and easy operation during wet trips. The mud bucket is mounted on the drillfloor and connected to the mud system drain tank by a flexible hose.

The mud seal for each individual dimension can be easily replaced. The articulated arm is supplied with high-end sintered bronze bushings on all pins, which minimize the maintenance required. Mud hoses are made of flexible material, and quick connections on each end ease the cleaning after operation.

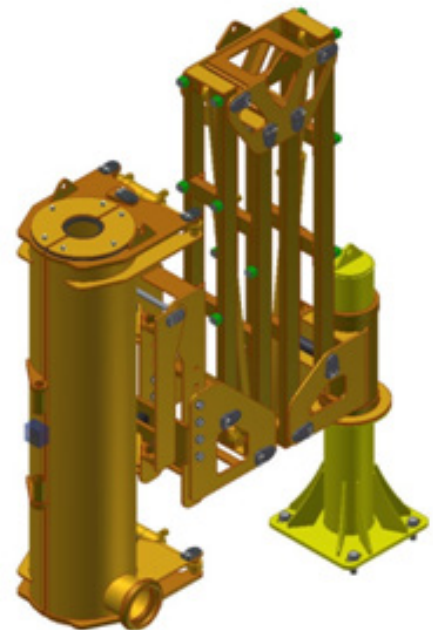


Main Features

- Long reach
- Handles wide range of stickups
- Occupies minimal space on drillfloor when parked
- Quick replacement of mud seal
- Quick connections on mud hose

Safety Features

- Emergency stop located in control stand



Technical Specifications	SI	Imperial (US)
Horizontal travel	2900 mm	114.17"
Mud bucket height	1700 mm	66.93"
Diameter range DP	89 mm to 168 mm	3-1/2" to 6-5/8"
Supplied mud seal	140 mm	5-1/2"
Hose connection mud bucket	152 mm female bauer coupling	6" female bauer coupling
Mud hose	152 mm both ends	6" both ends
Area classification	ATEX; II 2 G c IIC T3	

Scope of Supply	Options
Mud bucket	Additional mud seals for dimensions within range
Articulated arm	Remote operation
Base frame	Local operation from control stand
Mud hose	Control cabinet (safe area)
Mud seals for 5-1/2" DP	Electrical operated valves (for hazardous area)
	Instrumentation for DCR operation (proximity switch)
	Screen shots implemented in the operator chair

4601 Westway Park Blvd.
Houston, TX 77041
USA
Tel 1 713 939 2211

Andøyfaret 3
N-4623 Kristiansand S.
Norway
Tel 47 380 00 570