

QUANTUM Releasing Tool

Allows simple, straight pickup release of the packer

APPLICATIONS

- Releasing QUANTUM* gravel-pack packers

ADVANTAGES

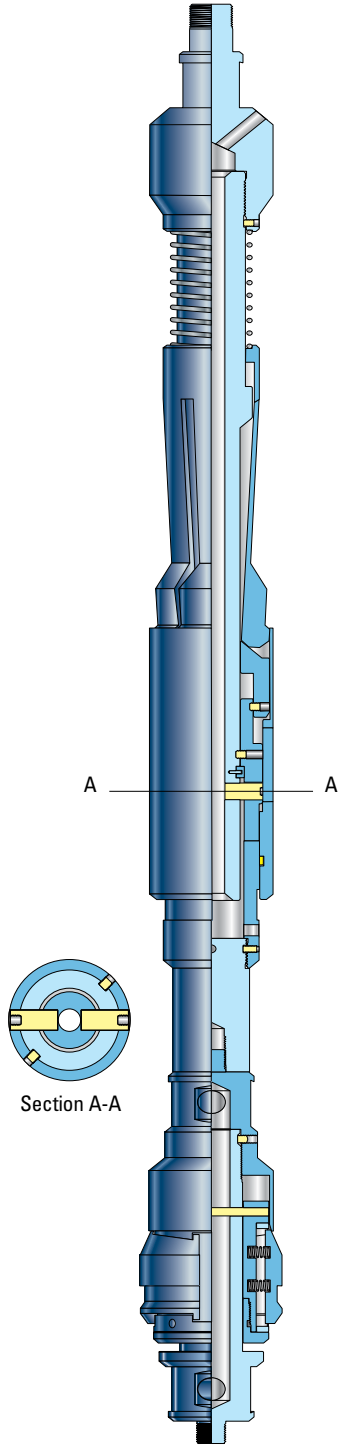
- Runs on slickline or coiled tubing
- Uses standard sliding sleeve locator keys
- Features emergency shear release

The QUANTUM releasing tool is used to shift a sleeve in the QMP series, XMP, and XHP packers to allow simple, straight pickup release of the packer. It is deployed by slickline or coiled tubing.

Operation

The releasing tool is lowered into the wellbore using standard slickline or coiled tubing procedures. When the releasing tool reaches the selective nipple profile in the bottom of the packer, downward jarring is applied to expose and engage the retrieving collet. Upward jarring pulls the retrieving collet into the support sleeve and moves the support collet upward to release the packer. When the packer is released, upward jarring disengages the releasing tool and allows it to be removed from the wellbore.

When the releasing tool has been removed from the well, the packer can be retrieved with straight upward pull on the tubing.



QUANTUM releasing tool.

*Mark of Schlumberger
Copyright © 2014 Schlumberger. All rights reserved. 14-CO-0238