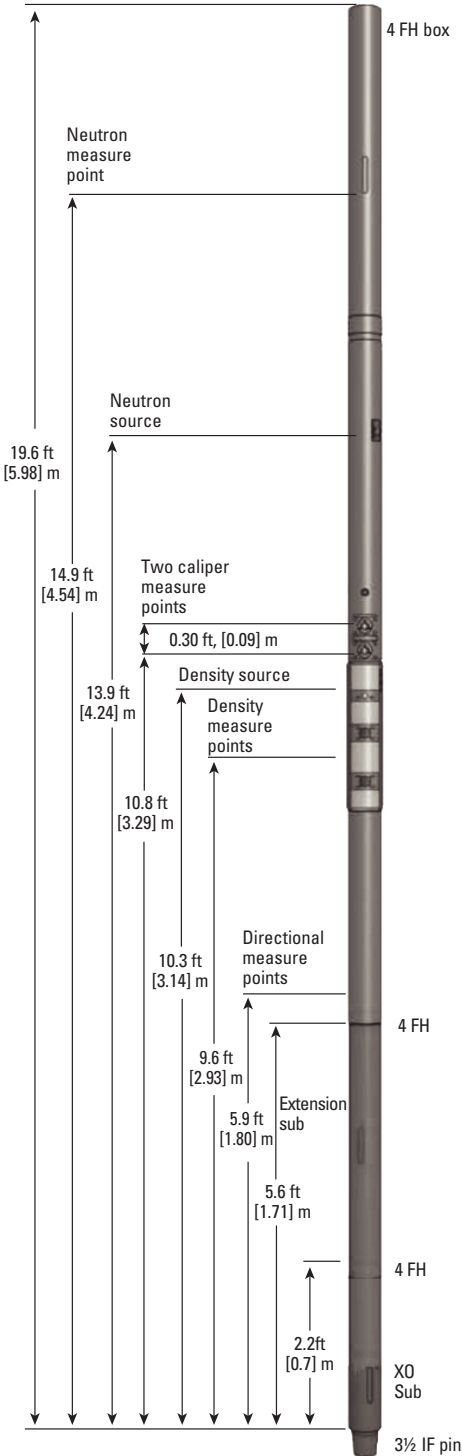


# iDNSC 475

Imaging, density, neutron, standoff, caliper service

# Specifications



## Tool Specifications

Nominal OD, in [mm]	4¾ [120.7]
Max. OD, in [mm]	5¾ [146.1]
ID, in [mm]	3.55 [90.2], 3.00 [76.2], 2.50 [63.5]
Length, ft [m]	29.9 [9.12]
Weight, lbm [kg]	1,050 [476]
Equivalent stiffness, in [mm]	4.92 [125.0] OD, 2.25 [57.2] ID
Average moment of inertia, in <sup>4</sup> [cm <sup>4</sup> ]	21.56 [897.4]

## Tool Joint Specifications

API 4 FH (NC 40)	
Makeup torque, ft.lbf [N.m]	10,500 [14,236]
Bending strength ratio	2.56
API 3½ IF (NC 38)	
Makeup torque, ft.lbf [N.m]	10,000 [13,558]
Bending strength ratio	2.36

## Operating Specifications

Max. dogleg rotating, °/100 ft	15
Max. dogleg sliding, °/100 ft	30
Max. compression, lbm [kg]	20,000 [9,070]
Max. tension, lbf [N]	263,000 [1,169,882]
Max. torque, ft.lbf [N.m]	9,500 [12,880]
Max. rpm	250
Max. temperature, degF [degC]	302 [150], 350 [175] <sup>†</sup>

## Transportation Basket

Length, ft [m]	30.5 [9.3]
Width, ft [m]	2.8 [0.9]
Height, ft [m]	2.5 [0.8]
Weight, lbm [kg]	1,400 [635]

## Gross Weight

Tool and basket, lbm [kg]	4,650 [2,109]
---------------------------	---------------

Note: All dimensions are nominal. Configuration options are available. Tool drawing is not to scale.

<sup>†</sup> Standard tool configuration 32 to 302 degF [0 to 150 degC], optional SURVIVOR HPHT rating 32 to 350 degF [0 to 175 degC].

[slb.com/iDNSC](http://slb.com/iDNSC)