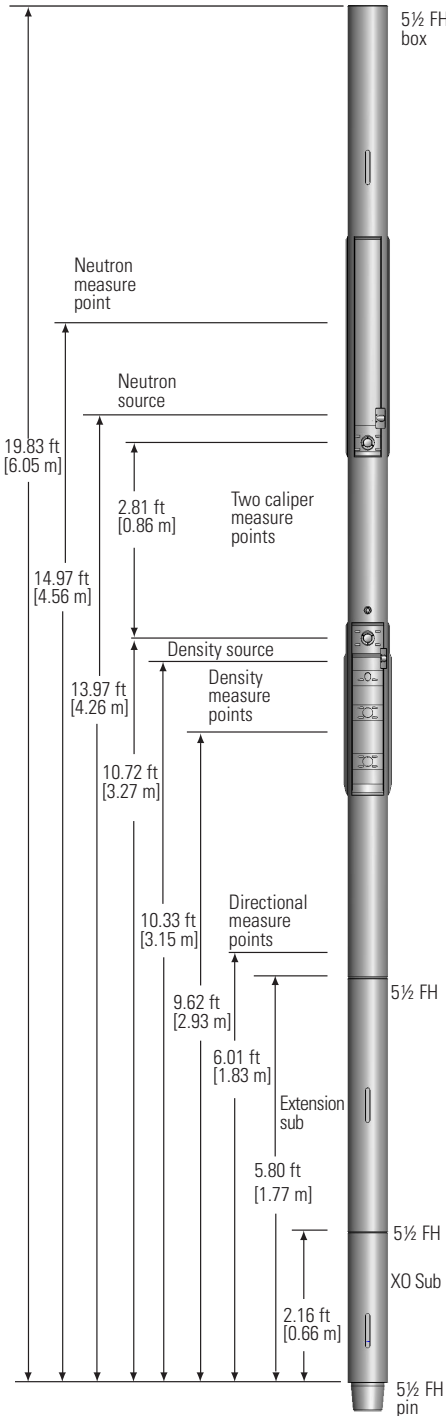


# iDNSC 675

Imaging, density, neutron, standoff, caliper service

# Specifications



## Tool Specifications

Nominal OD, in [mm]	6 1/4 [171.5]
Max. OD, in [mm]	8 1/4 [209.6]
ID, in [mm]	4.90 [124.5], 4.63 [117.6], 3.85 [97.8], 3.75 [95.3]
Length, ft [m]	19.8 [6.04]
Weight, lbm [kg]	1,050 [476]
Equivalent stiffness, in	6.68 [1169.7] OD/ 2.81 [71.4] ID
Average moment of inertia, in <sup>4</sup> [cm <sup>4</sup> ]	94.64 [3,939.2]

## Tool Joint Specifications

### API 51/2 FH (field)

Makeup torque, ft.lbf [N.m]	28,500 [36,641]
Bending strength ratio	1.93

### API 51/2 FH (shop)

Makeup torque, ft.lbf [N.m]	28,500 [36,641]
Bending strength ratio	1.93

## Operating Specifications

Max. dogleg rotating, °/100 ft	10
Max. dogleg sliding, °/100 ft	16
Max. compression, lbm [kg]	50,000 [22,676]
Max. tension, lbf [N]	350,000 [1,556,878]
Max. torque, ft.lbf [N.m]	28,000 [37,963]
Max. rpm	250
Max. temperature, degF [degC]	302 [150], 350 [175] <sup>†</sup>

## Transportation Basket

Length, ft [m]	30.5 [9.3]
Width, ft [m]	2.8 [0.9]
Height, ft [m]	2.5 [0.8]
Weight, lbm [kg]	2,150 [975]

## Gross Weight

Tool and basket, lbm [kg]	5,400 [2,449]
---------------------------	---------------

Note: All dimensions are nominal. Configuration options are available. Tool drawing is not to scale.

<sup>†</sup> Standard tool configuration 32 to 302 degF [0 to 150 degC], optional SURVIVOR HPHT rating 32 to 350 degF [0 to 175 degC].

[slb.com/iDNSC](http://slb.com/iDNSC)