

Caustic Soda Mix Tank



FEATURES

- Stainless steel wetted parts
- Compact design
- Ergonomic design
- Dust-free enclosure
- 100 gal cylindrical tank
- Agitator can be air driven or electric (UL, ATEX, CSA)

BENEFITS

- Promotes safe caustic soda mixing
- Minimizes corrosion
- Reduces lifting requirements
- Minimizes product loss
- Optimizes HSE profile

The design of the Caustic Soda Mix Tank facilitates the safe mixing of caustic soda.

Product sacks are cut within an enclosure, which reduces personnel exposure to dust. Solids are emptied into the tank where mixing is achieved. Once mixed, the solution is sent to the drilling fluid through pumps or eductors. The control system consists of a simple START/STOP push button arrangement controlling power to the motor. It also contains a dial type graduate speed adjustment.

The Caustic Soda Mix Tank consists of a 100-gal cylindrical tank with a motor, agitator, level gauge, inlet valve, overflow, drain, and outlet. As solids are introduced into the system from sacks or 5-gallon pails, a controllable motor and agitator arrangement expedites the mixing process.

All unit components are fabricated with stainless steel to protect against corrosion and clear glass tubing for visual verification of fluid levels. A clear acrylic panel provides the operator with sufficient visual protection when looking into the tank to monitor the mixing action. Operators need to wear the PPE while operating the tank.

The dished bottom maximizes suspension quality. The tank is equipped with baffles that prevent solid body rotation and cause axial mixing between the top and bottom of the tank. The tank's agitator is a top entering pitched blade impeller.

There are two 1½-in and three 1-in ball valves. The 1½-in main valves function as the filling valves for the water and the 1-in process valves (one drain valve and two isolation valves for the liquid level indicator) transfer the solution from the tank to the drilling fluid.

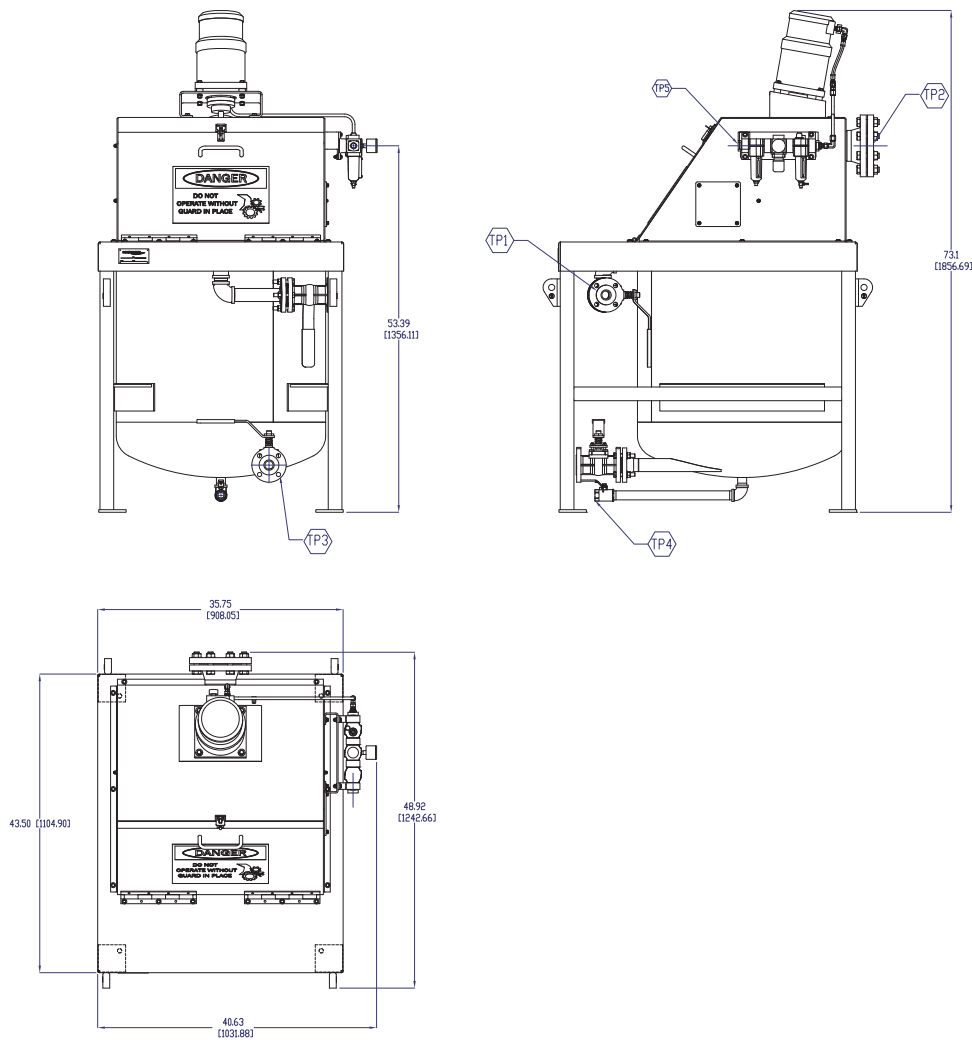
Specifications:

Structural Material	Stainless steel
Tank Volume	100 US Gallons
Overall Height	73.1 in
Overall Width	40.6 in
Overall Weight	863 lbs
Overall Depth	44.6 in
Impeller Type	Pitched blade
Blade Angle	45°
Blade Number	4
Operating Pressure	Atmospheric
Operating Temperature	35°F – 100°F
Air Driven Agitator	20 cfm @ 80 psig

Termination Point Schedule

Item	Description	Size	Rating
TP1	Flange 1½-in 150 lb rf 316l sst water inlet	1½-in	150#
TP2	Flange 4 -in 150 lb rf 316l sst vent	4-in	150#
TP3	Flange 1½-in 150 lb rf 316l sst outlet	1½-in	150# </td
TP4	Flange 1 -in 150 lb rf 316s sst drain	1-in	150#
TP5	½-in front agitator air inlet	½-in	150 PSI

Engineering Drawing: Caustic Soda Mix Tank



This information is supplied solely for informational purposes and M-I SWACO makes no guarantees or warranties, either expressed or implied, with respect to the accuracy and use of this data. All product warranties and guarantees shall be governed by the Standard Terms of Sale. Nothing in this document is legal advice or is a substitute for competent legal advice.