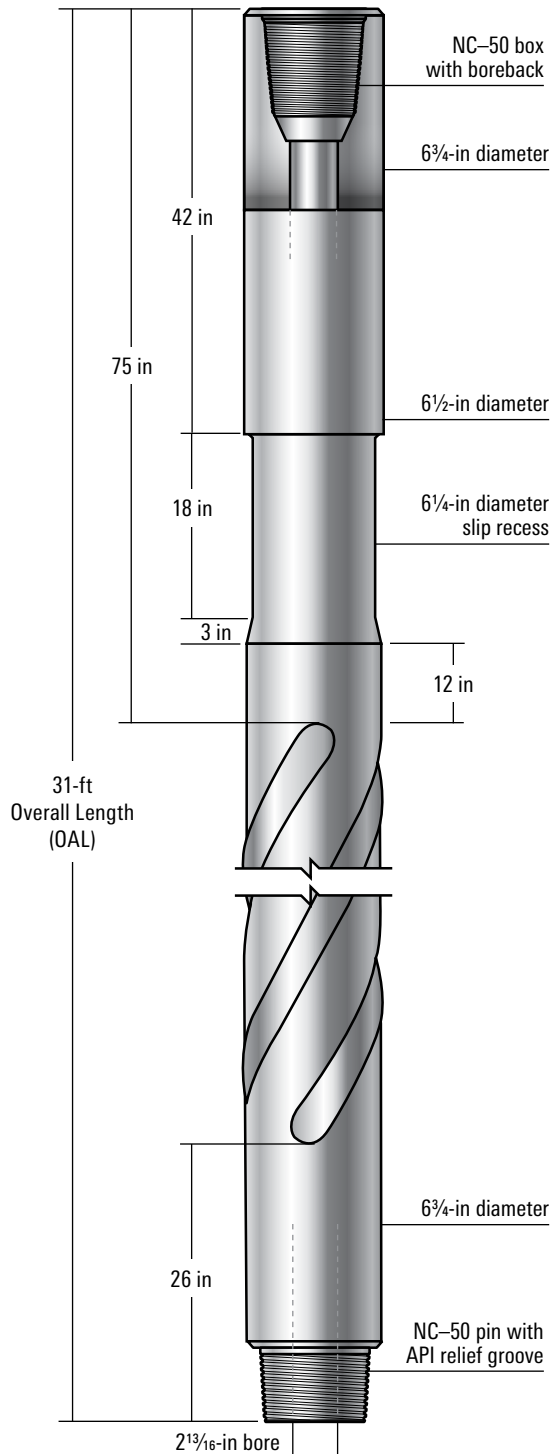


Spiral Drill Collar

Standard slip 6³/₄-in OD with NC-50 connection



Drill Collar Specifications

Weight, lbm/ft [kg/m]	88.23 [131.30]
Displacement open ends, galUS/ft [L/m]	1.32 [16.39]
Capacity, galUS/ft [L/m]	0.313 [3.89]
Drift diameter, in [cm]	2 ¹ / ₁₆ [6.83]

Above data based on drill collar nominal dimensions and 31-ft OAL. Spiral assumed to reduce slick drill collar weight by 4%.

Connection Data Specifications

Connection size NC50 (4 ¹ / ₂ -in IF)	
OD, in [cm]	6 ³ / ₄ [17.15]
ID, in [cm]	2 ¹³ / ₁₆ [7.14]
API recommended minimum makeup torque, ft.lbf [N.m]	32,277 [43,761.74]
Torsional yield, ft.lbf [N.m]	56,807 [77,019.95]
Bending strength ratio	2.366

Torsional values based on API drill collar thread compound with 1.0 API friction factor.

Material Specifications

Material	AISI 4145 H modified, Q and T
Yield strength, psi	110,000 minimum

P/N 09013461