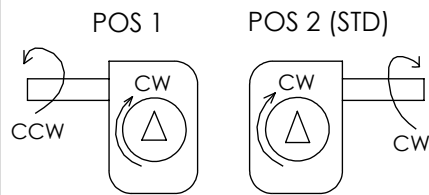


CONSULT FACTORY FOR SPECIAL CONFIGURATIONS.



SPRING HANDLE LOCKS UNIT IN ENGAGED OR DISENGAGED POSITION.

UNIT SHOWN IN ENGAGED POSITION.  
GREASED FOR LIFE.  
PLATED STANDARD SHAFT.

### MAX DRIVER BORE & KEY

MAX IN LINE	MAX
$\phi 2.125$ .500 X .375 KEY	$\phi 3.125$ .750 X .500 KEY

**HANDWHEEL**  
RECOMMENDED:  $\phi$ : 36 IN  
RIM PULL AT  
MAX TORQUE: 100 LBS  
TURNS FOR 90°: 60

WEIGHT  
UNIT: 184 LBS [83.6 KG]  
DRIVER: 67 LBS [30.5 KG]  
HANDWHEEL: 17 LBS [7.7]

RATIO: 240:1  
OVERRIDE TORQUE: 90,000 IN LBS [10,169 N-M]  
DOUBLE ACTING ACTUATORS  
MAX AIR START TORQUE: 72,000 IN LBS [8,136 N-M]  
SPRING RETURN ACTUATORS  
MAX SPRING START TORQUE: 33,325 IN LBS [3,766 N-M]  
TEMPERATURE: -20° TO 150°F [-29° TO 66°C]

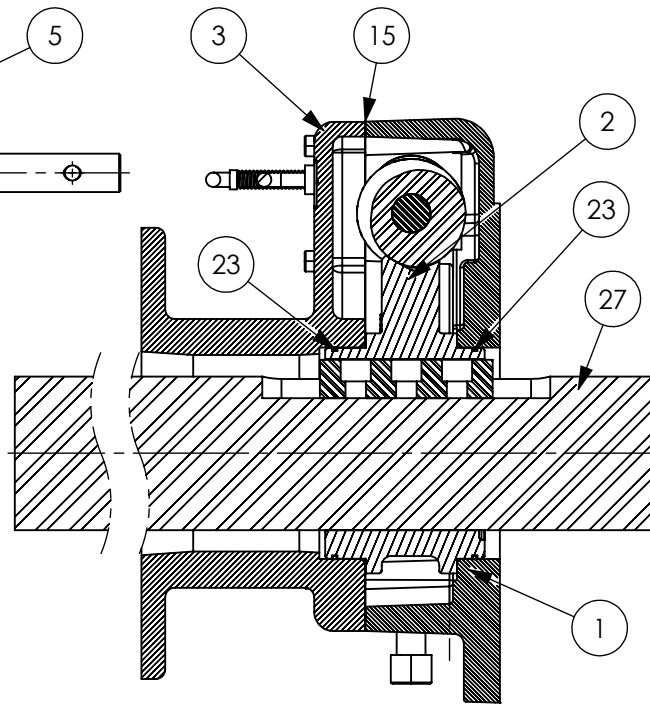
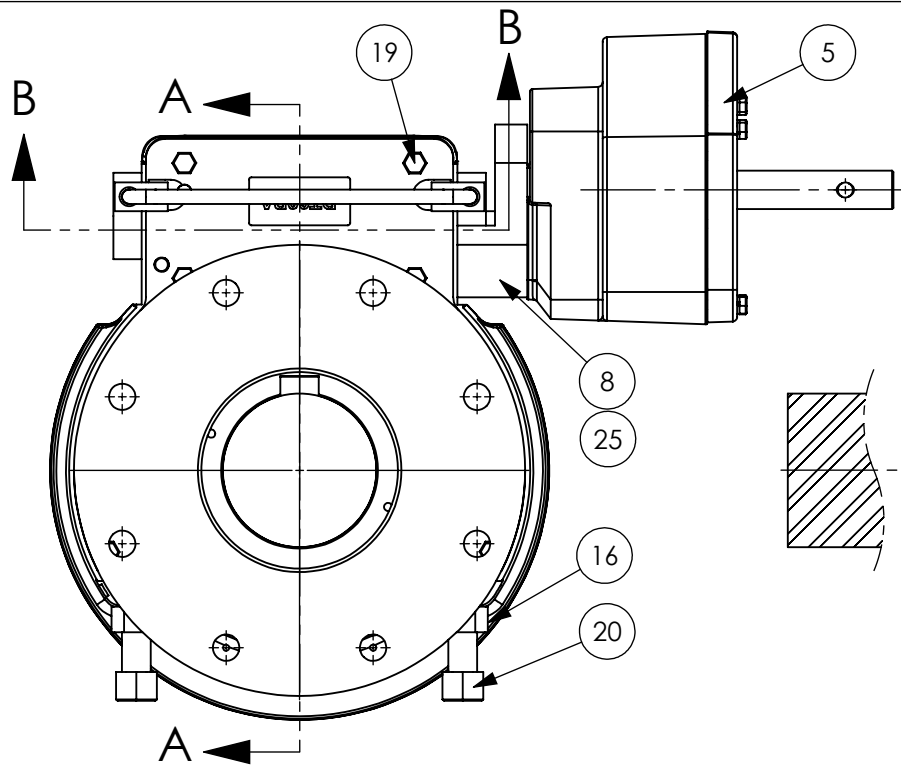
### HOUSING MOUNTING PATTERN

### COVER MOUNTING PATTERN

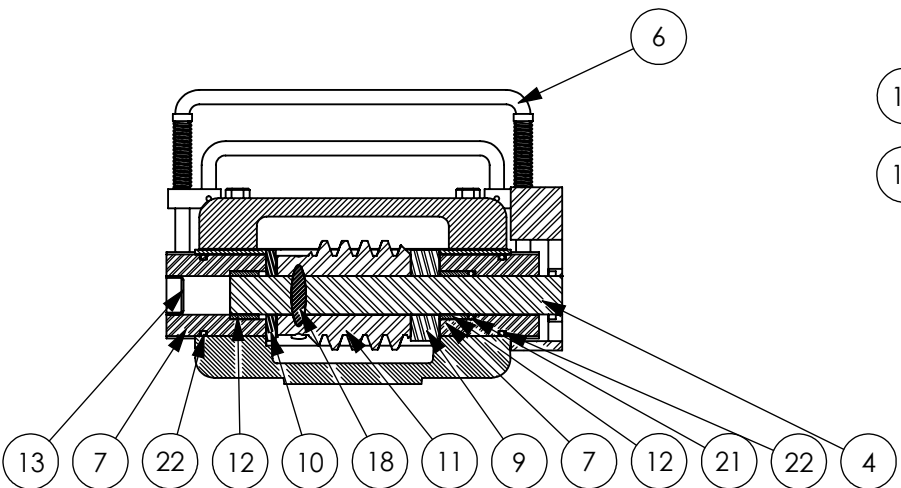
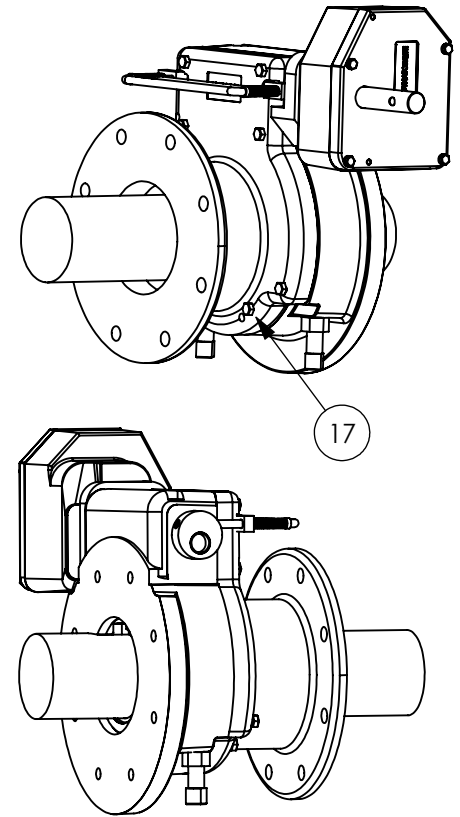
MAX	MAX ON CENTER	STD	MIN	MAX	MAX ON CENTER	STD	MIN
$\phi 11.750$ 3/4-10	$\phi 11.750$ 3/4-10	$\phi 10.000$ 5/8-11	$\phi 6.500$ 3/4-10	$\phi 10.750$ $\phi .812$	$\phi 10.750$ $\phi .812$	$\phi 10.000$ $\phi .688$	$\phi 8.500$ $\phi .688$

### MANUAL 1/4 TURN ACTUATOR COMMERCIAL GRADE

**DYNATORQUE** **DT90**  
WWW.DYNATORQUE.COM **SD**  
A BRAND OF CAMERON



SECTION A-A



SECTION B-B

14 UNIT BEARINGS, O-RINGS AND GEAR TEETH ARE GREASED.

15 UNIT HAS SILICONE GASKET.

24 UNIT IS PAINTED BLACK ENAMEL.

26 HWRR 36" HAND WHEEL NOT SHOWN.

ITEM	QTY.	DESCRIPTION	ITEM	QTY.	DESCRIPTION
1	1	HOUSING,DT60SD	17	2	DOWEL PIN,.375,1.00
2	1	W/WHEEL, DT60	18	1	GROOVE PIN,.375,2.25
3	1	COVER GASKET, DT 60/90	19	8	HHCS, 3/8-16 X 2.00 LG
4	1	SHAFT,DT90SD	20	2	SHSS, 3/4-10 X 4.50
5	1	SPUR, 4:1, SD	21	1	O-RING,2-214
6	1	DECLUTCH HANDLE, DT60/90 SD, S.S.	22	2	O-RING,2-226
7	2	DECLUTCH BUSHING, DT60/90 SD, S.S.	23	2	O-RING,2-160
8	1	BRACKET,SPUR,SD	24	1	BLACK ENAMEL
9	1	WORM SPACER	25	3	SHCS,3/8-16 X 1.75 LG
10	1	WORM SPACER	26	1	HWRR36" HANDWHEEL
11	1	BEARING SLV,1.25,1.00,1.00	27	1	DRSD, DT90, BLANK
12	2	BEARING SLV,1.25,1.00,.75			
13	1	EXPANSION PLUG,1.00,.25			
14	1	GREASE,COMMERCIAL GRADE			
15	1	RTV SEALANT			
16	2	NUT, JAM, 3/4-10			

**DYNATORQUE DT90 SD**  
 WWW.DYNATORQUE.COM

A BRAND OF CAMERON