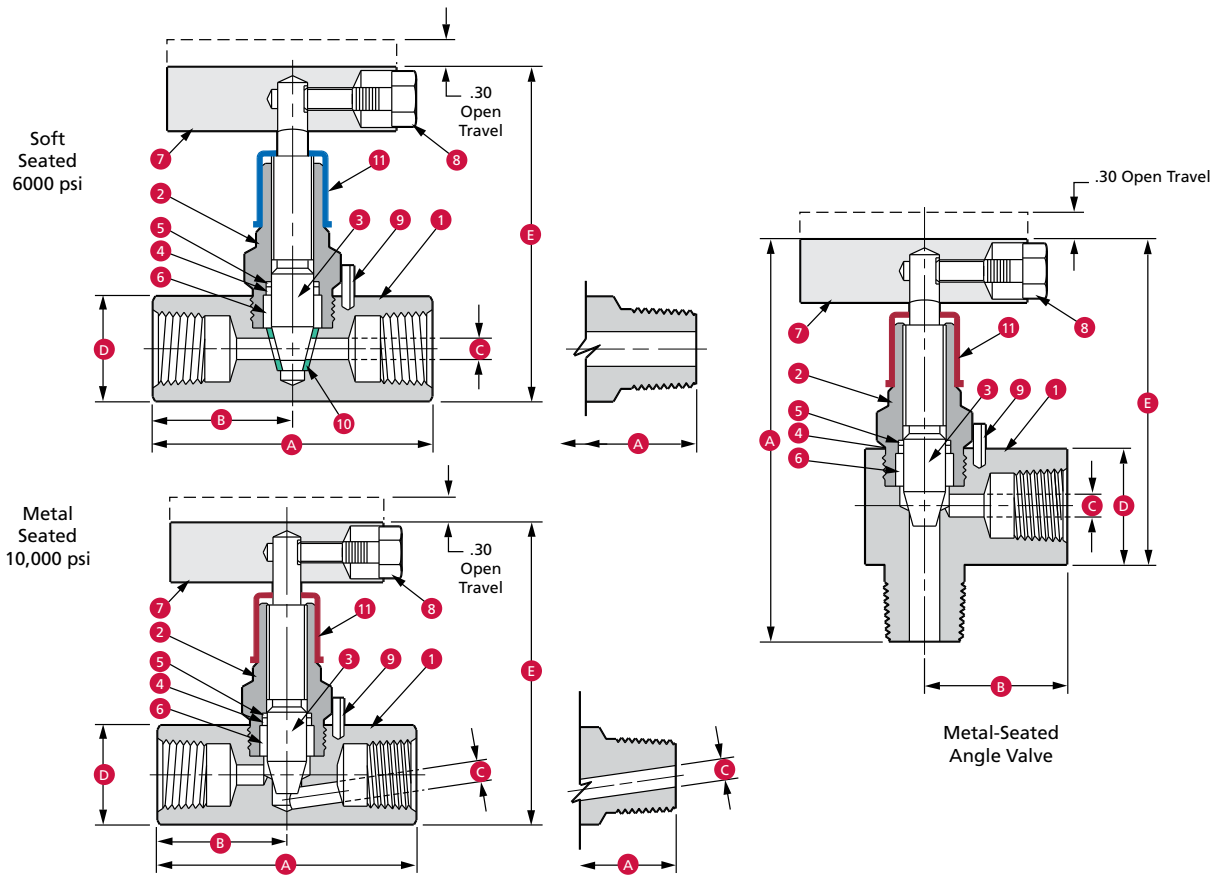


# AOP™ Needle and Gauge Valves

## Needle Valves



Part No.		Size in. (mm)	Working Pressure	Body Style		Dimensions					Weight lb
CS Body	SS Body			M x F	F x F	A	B	C	D	E	
42V-145	42VN-145	1/4 (6)	6000 psi	X	-	3.25	1.44	0.25	1.13	3.56	1.5
42V-125	42VN-125	1/2 (15)	6000 psi	X	-	3.38	1.44	0.25	1.13	3.56	1.5
42V-14	42VN-14	1/4 (6)	6000 psi	-	X	2.88	1.44	0.25	1.13	3.56	1.25
42V-12	42VN-12	1/2 (15)	6000 psi	-	X	2.88	1.44	0.25	1.13	3.56	1.25
41V-145	41VN-145	1/4 (6)	10,000 psi	X	-	3.25	1.44	0.25	1.13	3.50	1.5
41V-125	41VN-125	1/2 (15)	10,000 psi	X	-	3.38	1.44	0.25	1.13	3.50	1.5
41V-14	41VN-14	1/4 (6)	10,000 psi	-	X	2.88	1.44	0.25	1.13	3.50	1.25
41V-12	41VN-12	1/2 (15)	10,000 psi	-	X	2.88	1.44	0.25	1.13	3.50	1.25
41V-145A	41VN-145A	1/4 (6)	10,000 psi	X	-	4.34	1.50	0.25	1.25	3.50	1.25
41V-125A	41VN-125A	1/2 (15)	10,000 psi	X	-	4.34	1.50	0.25	1.25	3.50	1.25

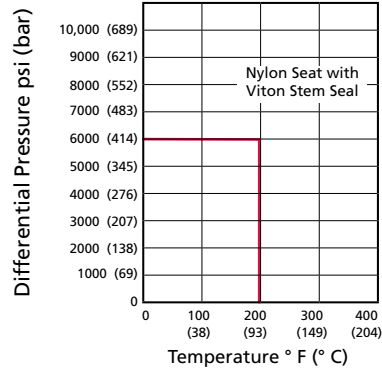
Item	Qty.	Part	Soft Seat		Metal Seat	
			CS	SS	CS	SS
1	1	Body	A105	316 SS	A105	316 SS
2	1	Bonnet	A105	316 SS	A105	316 SS
3	1	Stem	316 SS	316 SS	316 SS	316 SS
4	1	Stem Seal	Viton® O-ring	Viton O-ring	Viton O-ring	Viton O-ring
5	1	Backup Ring	Viton	Viton	Viton	Viton
6	1	Sleeve	A105	316 SS	A105	316 SS
7	1	Handle	CS	316 SS	CS	316 SS
8	1	Capscrew	CS	316 SS	CS	316 SS
9	1	Lock Pin	Spring Steel	Spring Steel	Spring Steel	Spring Steel
10	1	Seat	Nylon	Nylon	***	***
11	1	Boot	Blue	Blue	Red	Red

## Gauge Valves

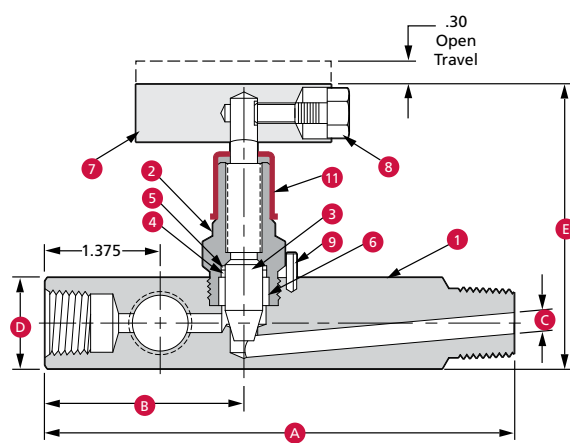
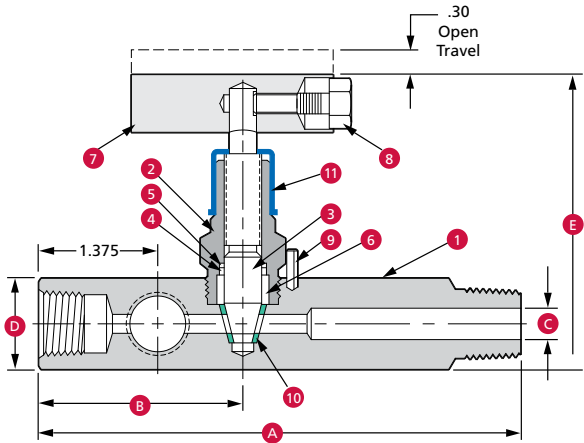
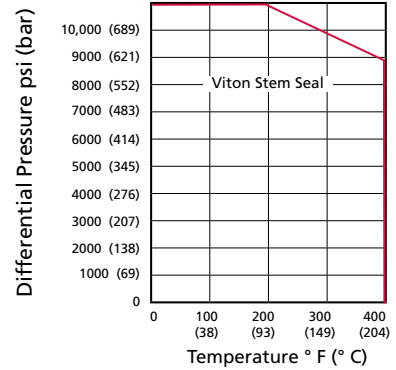
### Standard Features

- Oversized barstock body
- Precision-threaded bonnet
- Bonnet lock pin
- Backseat stem design
- Viton O-ring stem seal
- Metal-to-metal stem sealing
- Soft seat or metal seat options
- Large T-handle
- ASME B1.20.1 threads
- NACE MR0175 trim option
- Color-coded stem boot

Soft-Seated Needle and Gauge Valves 6000 psi



Metal-Seated Needle and Gauge Valves 10,000 psi



Part No.		Size in. (mm)	Working Pressure	Body Style		Dimensions					Weight lb
CS Body	SS Body			M x F	Long Body	A	B	C	D	E	
44V-125	44VN-125	1/2 (15)	6000 psi	X	-	5.63	2.38	0.25	1.13	3.56	2.25
44V-125L	44VN-125L	1/2 (15)	6000 psi	X	X	7.25	2.38	0.25	1.13	3.56	2.50
44V-12345	44VN-12345	1/2 x 3/4 (15) x (20)	6000 psi	X	-	5.63	2.38	0.25	1.13	3.56	2.50
43V-125	43VN-125	1/2 (15)	10,000 psi	X	-	5.63	2.38	0.25	1.13	3.50	2.25

Item	Qty.	Part	Soft Seat		Metal Seat	
			CS	SS	CS	SS
1	1	Body	A105	316 SS	A105	316 SS
2	1	Bonnet	A105	316 SS	A105	316 SS
3	1	Stem	316 SS	316 SS	316 SS	316 SS
4	1	Stem Seal	Viton O-ring	Viton O-ring	Viton O-ring	Viton O-ring
5	1	Backup Ring	Viton	Viton	Viton	Viton
6	1	Sleeve	A105	316 SS	A105	316 SS
7	1	Handle	CS	316 SS	CS	316 SS
8	1	Capscrew	CS	316 SS	CS	316 SS
9	1	Lock Pin	Spring Steel	Spring Steel	Spring Steel	Spring Steel
10	1	Seat	Nylon	Nylon	***	***
11	1	Boot	Blue	Blue	Red	Red

845 SE 29th St.  
Oklahoma, OK 73129  
USA  
Tel 1 405 510 3150